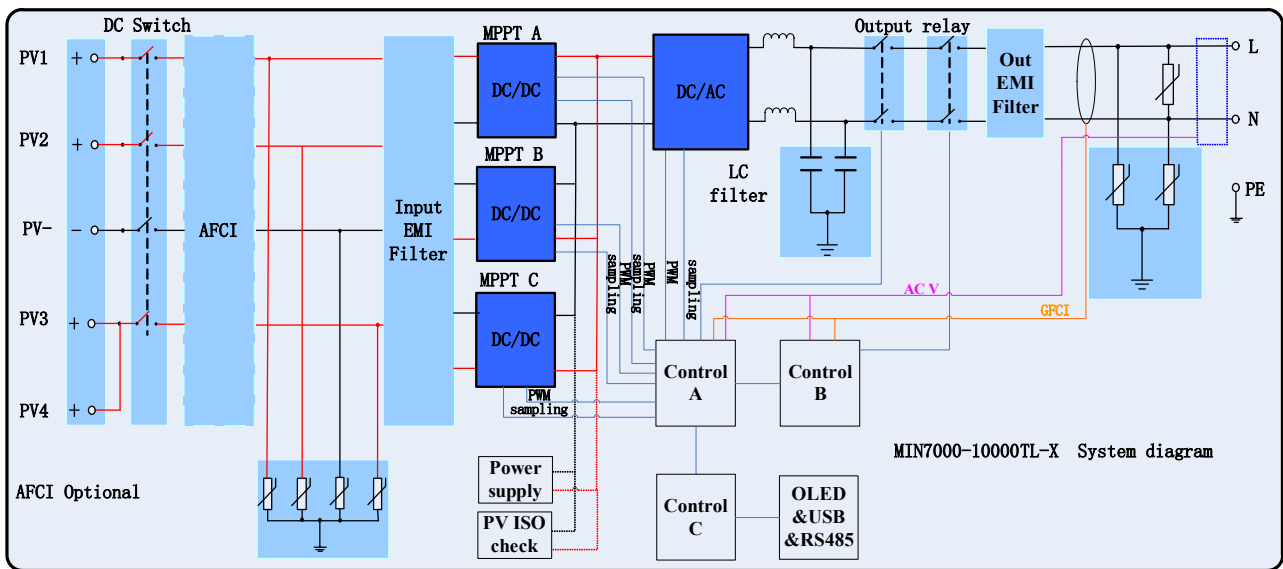


# MIN 7000-10000TL-X Spec.

## 1. System logic diagram



## 2. Technical data

Model	7000TL-X (E)	8000TL-X (E)	7000TL-X	8000TL-X	9000TL-X	10000TL-X
<b>Specifications</b>						
<b>Input data(DC)</b>						
Max. recommended PV power(for module STC)	11.2k	11.2k	12k	12k	13.5k	15k
Max. DC voltage	600V					
Start voltage	100V					
Min. operating voltage	60V					
Nominal voltage	360V					
MPP voltage range	60-550					
No. of MPP trackers	2			3		

No. of PV strings per MPP trackers	1/2		1/1/1		1/1/2	
Max. input current per MPP trackers	13.5/27A		13.5/13.5/13.5A		13.5/13.5/27A	
Max. short-circuit current per MPP trackers	16.9/33.8A		16.9/16.9/16.9A		16.9/16.9/33.8A	
<b>Output data(AC)</b>						
Rated output power	7000W	8000W	7000W	8000W	9000W	10000W
Rated apparent power	7000VA	8000VA	7000VA	8000VA	9000VA	10000VA
Max. AC apparent power	7000VA	8000VA	7000VA	8000VA	9000VA	10000VA
Nominal AC voltage/range*	230/160~300V					
AC grid frequency/range*	50-60Hz/44-55Hz;54-65Hz					
Rated output current	30.4A	34.8A	30.4A	34.8A	39.1A	43.5A
Max. output current	33.5A	38.3A	33.5A	38.3A	43A	45.5A
Max output overload protection	50A	50A	50A	50A	63A	63A
Max. inrush current (Peak value/duration time)	<10A/5ms					
Max. output fault current (Peak value/duration time)	<108A/10us					
Max. inverter backfeed current to PV array	0A					
Power factor(@nominal power)	>0.99					
Adjustable power factor	0.8leading...0.8lagging					
THDi	<3%					
AC grid connection type	Single phase					
Overvoltage category	PV:II AC:III Others:I					
<b>Efficiency</b>						
Max. efficiency	98.1%	98.1%	98.1%	98.1%	98.1%	98.1%
Euro-eta	97.3%	97.3%	97.3%	97.3%	97.6%	97.6%
<b>Protection devices</b>						
DC reverse-polarity protection	Integrated					
DC switch	Integrated					
DC Surge protection	Type II					
AFCI	Optional					
Insulation resistance	Integrated					

monitoring	
AC surge protection	Type III
AC short-circuit protection	Integrated
Ground fault monitoring	Integrated
Grid monitoring	Integrated
Anti-islanding protection	Integrated(Active Frequency Drift)
Residual-current monitoring unit	Integrated
<b>General data</b>	
Dimensions (W / H / D) in mm	425/387/180
Weight	18.2kg
Operating temperature range	-25 °C ... +60 °C
Noise emission (typical)	≤ 25 dB(A)
Altitude	4000m
Internal consumption at night**	<1W
Topology	Non-isolated
Cooling	Natural convection
Protection degree	IP66
Relative humidity	0~100%
DC connection	H4/MC4(Optional)
AC connection	Cable gland +OT terminal
<b>Interfaces</b>	
Display	OLED+LED
RS485/USB	Integrated
WIFI/GPRS/4G/LAN/RF	Optional
Warranty:5/10 years	Yes/ Optional
<b>Certificates and approvals</b>	
Grid regulation	IEEE1547,UL1741,ABNT NBR 16149:2013,AS4777
EMC	EN61000-6-2,EN61000-6-3,EN61000-3-11,EN61000-3-12
Safety	IEC/EN62109-1,IEC/EN62109-2
Place of production	Made in China

\* The AC Voltage and Frequency Range may vary depending on specific country grid standard.

\*\*Without AC power supply function.

All specifications are subject to change without notice.